





# Isobar+

Pressure Reducer for Cold and Hot Water,  
Equipped with Innovative Reversible Multithreaded Unions

## FEATURES AND BENEFITS

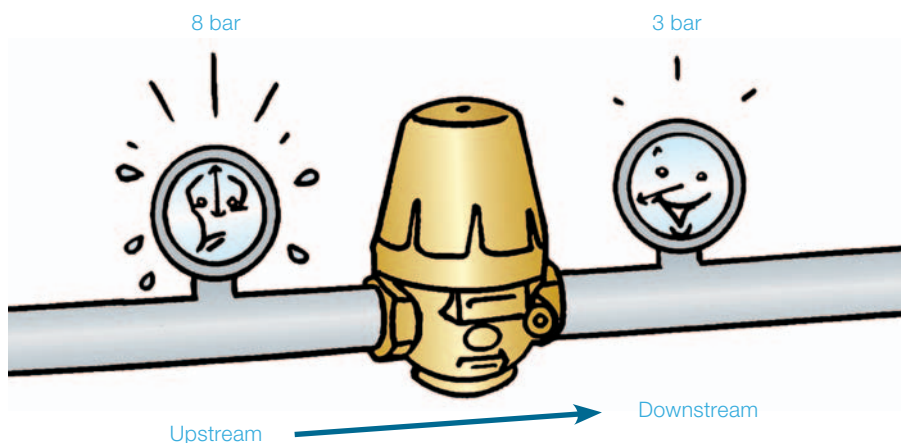
- » Long-lasting performance in aggressive conditions
- » Compliant with NF EN 1567 
- » Compliant with 
- » Operation in all positions
- » Easy adjustment

## ISOBAR+ is a high quality pressure reducer with:

- » Innovative design, emphasized with reversible multi-threaded connections.
- » High quality material, approved through
- » ACS (French certificate for compatibility with drinking water).
- » Easy adjustment of downstream pressure (minimum 1,5 bar).
- » Low pressure loss.
- » Excellent endurance in cold and hot water; upstream pressure up to 25 bar.
- » Compatibility with any water quality.
- » Two manometric plugs for pressure gauge.
- » Ability to operate in all positions.

## Advantages

- ISOBAR+ prevents waste (leakage over network, fittings, ...).
- ISOBAR+ improves working conditions of all household appliances and fittings.
- ISOBAR+ ensures comfort and long lasting installations by:
- » Distributing a regular flow rate.
  - » Limiting noise of water flow.
  - » Easing the adjustment of mixer taps.
  - » Decreasing waterhammers and preventing vibrations on pipe network avoiding excessive pressure.
- Thanks to its design, ISOBAR+ keeps its characteristics whatever the quality of distributed water is. ISOBAR+ facilitates end-user satisfaction.



> [Help your water installation](#)

### THE TECHNOLOGY

ISOBAR+ quality level is continuously ensured by CSTB (Scientific and Technical Center for Buildings).

The working principle is based on the two opposing forces in the pressure reducer, acting on the spring mechanism which controls the opening and closing of the valve.

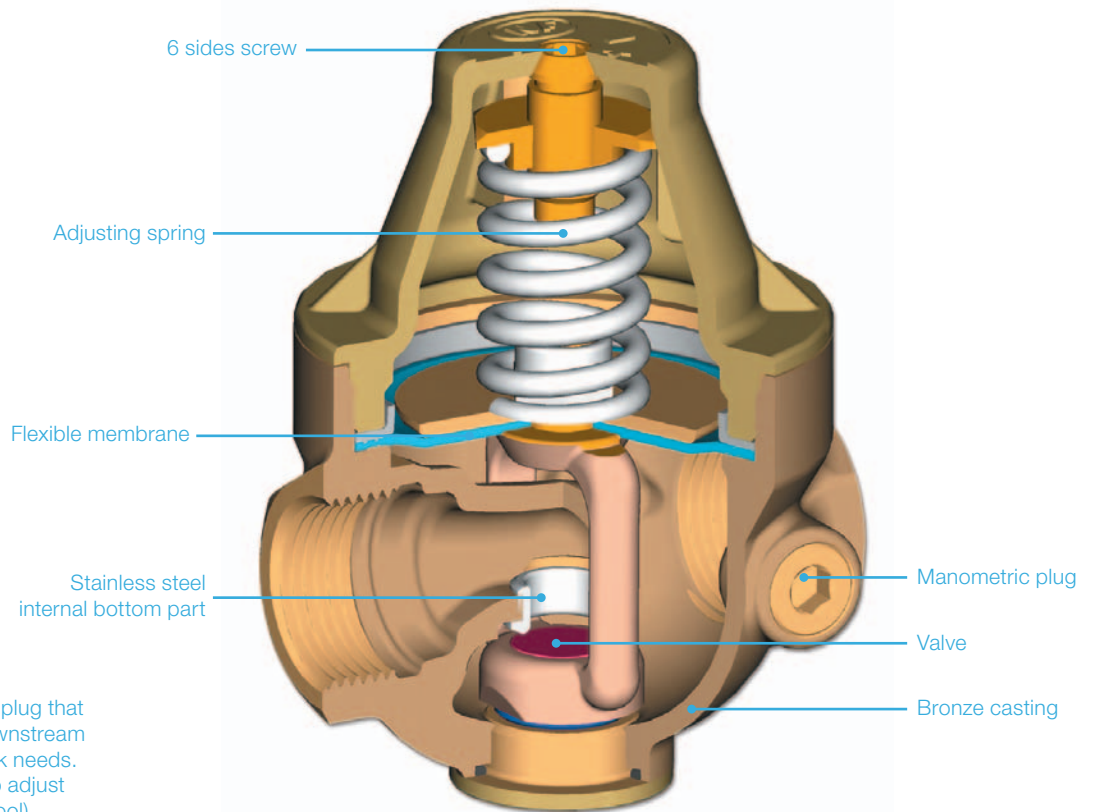
The aim of a pressure reducer is to decrease the network pressure to a level compatible with housing installations and to keep the downstream pressure at this level with or without water flow.

The typical recommended pressure in a flat is 3 bars.

### ROBUSTNESS AND RELIABILITY

Designed with high quality raw material, ISOBAR+ is particularly robust in both cold and hot water.

The body is made of bronze and the internal bottom part of stainless steel.



ISOBAR+ is also equipped with a plug that allows an easy adjustment for downstream pressure according to the network needs. Only a standard tool is required to adjust ISOBAR+ (no need for a specific tool).



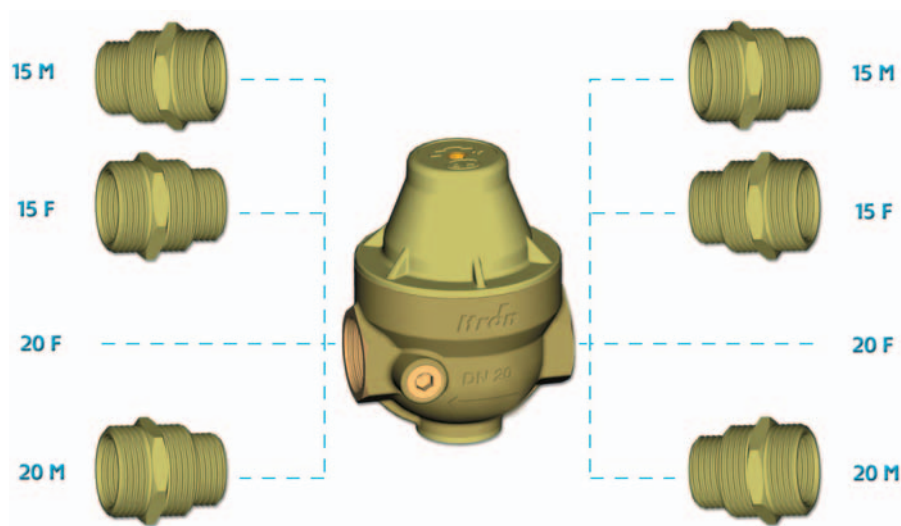
## Technical Characteristics

Types	DN20 FF / Part number ISO20F CC DN 20 FF + Unions / Part Number ISOPLUS CC
Working temperature	Cold water and hot water up to 80°C
Maximum upstream pressure	25 bar
On site adjustment of downstream pressure	1.5 to 6.5 bar through 6 sides screw
Factory adjustment of downstream pressure	3 bar
On site pressure check	Possible through 2 manometric plugs
On site draining	Possible through 2 manometric plugs
Installation	All positions
NF conformity	According to standard AFNOR NF EN 1567
Sanitary conformity (France)	DGS/SD7A 2002 N° 571

## INSTALLATION AND EASINESS FOR USE

With its innovative multi-threads connections, modular ISOBAR+ is compatible with all cases of existing installations in the network and is convenient for all DN15 and DN20 installations.

16 connections are possible



ISOBAR+ is suitable with installations of DN 26 size (please contact us if required).

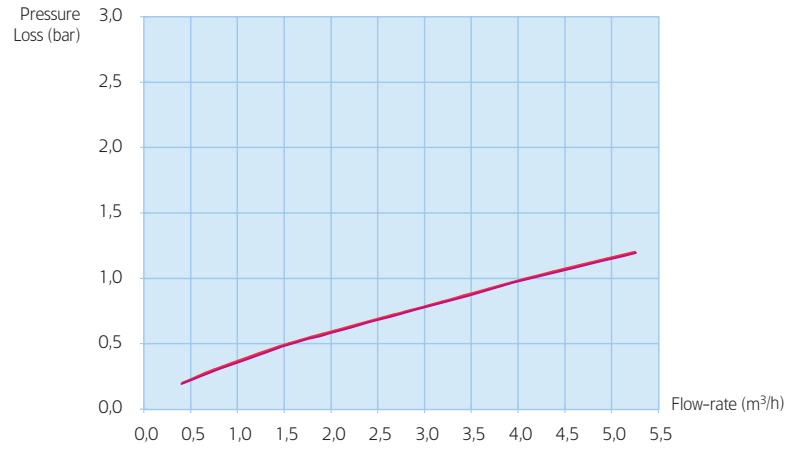


ISOBAR+ with innovative reversible multithreaded unions

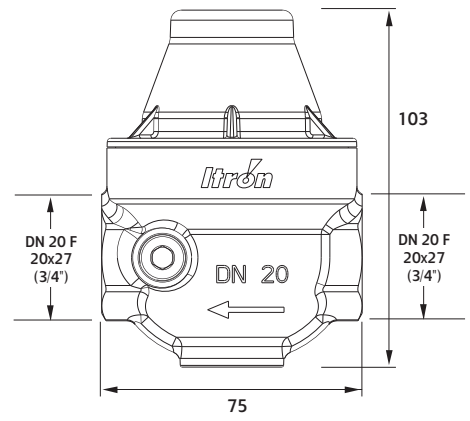


ISOBAR+

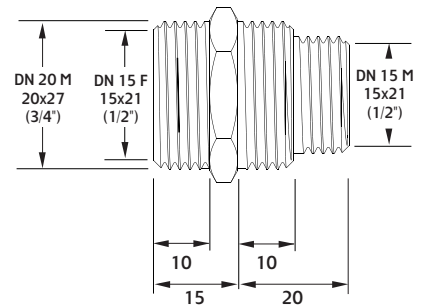
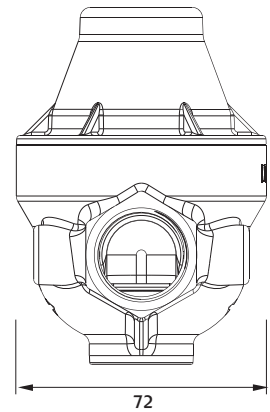
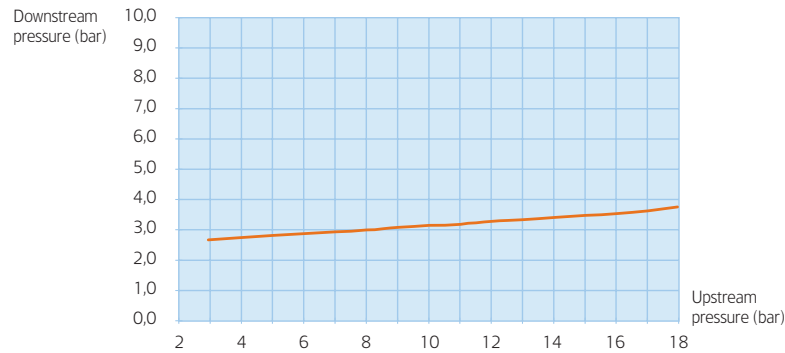
**PRESSURE LOSS ISOBAR+ 20FF**



**Dimensions**



**PRESSURE LOSS ISOBAR+ 20FF**



Our company is the world's leading provider of smart metering, data collection and utility software systems, with over 8,000 utilities worldwide relying on our technology to optimize the delivery and use of energy and water.

To realize your smarter energy and water future, start here: [www.itron.com](http://www.itron.com)

For more information, contact your local sales representative or agency:

**ITRON WATER METERING**

9, rue Ampère  
71031 Mâcon cedex  
France

**Phone:** +33 3 85 29 39 00

**Fax:** +33 3 85 29 38 58